

# 2/2-way valves DN 20 to DN 40

For air

Remote pilot operated

Internal threads G 3/4 to G 1 1/2 or 3/4 NPT to 1 1/2 NPT

Operating pressure 0.4 to 8 bar

83300

83310

**Stainless  
Steel**



## Description (standard valve)

Controlled by external pilot unit

Switching function:	normally closed
Flow direction:	determined
Coil gas temperature:	-40 °C to max. +85 °C
Ambient temperature:	-20 °C to max. +85 °C
Mounting position:	optional
Control port:	G 1/8

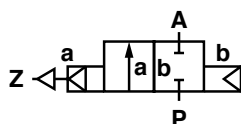
## Material

Body:	Stainless steel (1.4408)
Seat seal:	TPE

## Features

- High flow rate
- Simple, compact design
- One-piece diaphragm

## Symbol



## Ordering information

To order, quote model number from table overleaf, e.g. 8330400.0000 for a DN 25 valve.

## Characteristic data

### Valves

Part Number	Nominal Diameter (mm)	Connection size	Valve length (mm)	Operating pressure		k <sub>v</sub> -value * (Base m <sup>3</sup> /h)	Weight (kg)
				min. (bar)	max. (bar)		
8330300.0000 8331300.0000	20	G 3/4 3/4 NPT	95	0.4	8	18	0.7
8330400.0000 8331400.0000	25	G 1 1 NPT	95	0.4	8	22	0.8
8330600.0000 8331600.0000	40	G 1 1/2 1 1/2 NPT	135	0.4	8	59	2.9

\*C<sub>v</sub>-value (US) ≈ k<sub>v</sub>-value x 1.2

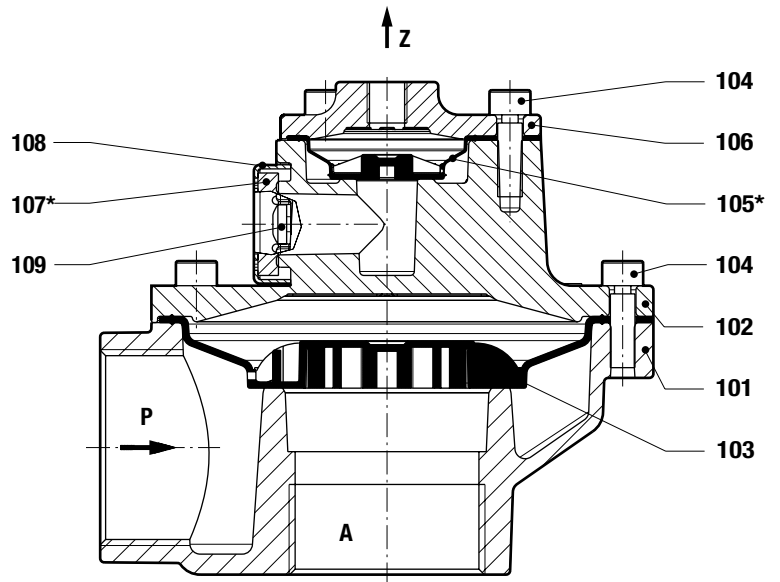
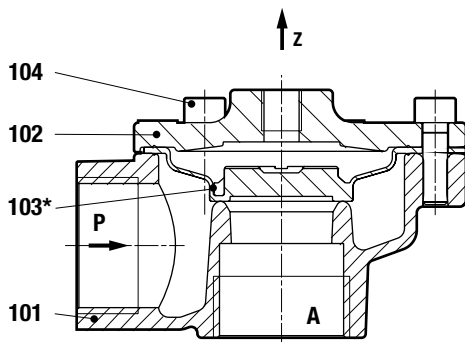
## Further options (Valves)

- XXXXX**54**.XXXX Flange version without valve body
- XXXXX**62**.XXXX Crude gas temperature version -20 °C to +100 °C,  
Seat seal TPE,  
Ambient temperature -40 °C to +85 °C,  
Coil gas temperature -20 °C to +85 °C
- XXXXX**63**.XXXX Crude gas temperature version -20 °C to +140 °C,  
Seat seal TPE,  
Ambient temperature -40 °C to +85 °C,  
Coil gas temperature -20 °C to +85 °C
- On request Further versions

## Section View

G 3/4 and 3/4 NPT  
G 1 and 1 NPT

G 1 1/2 und 1 1/2 NPT



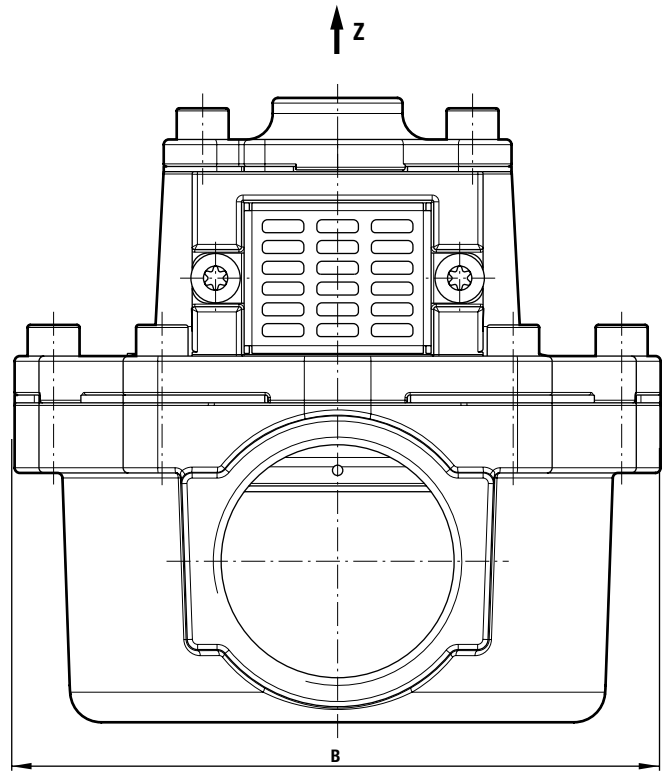
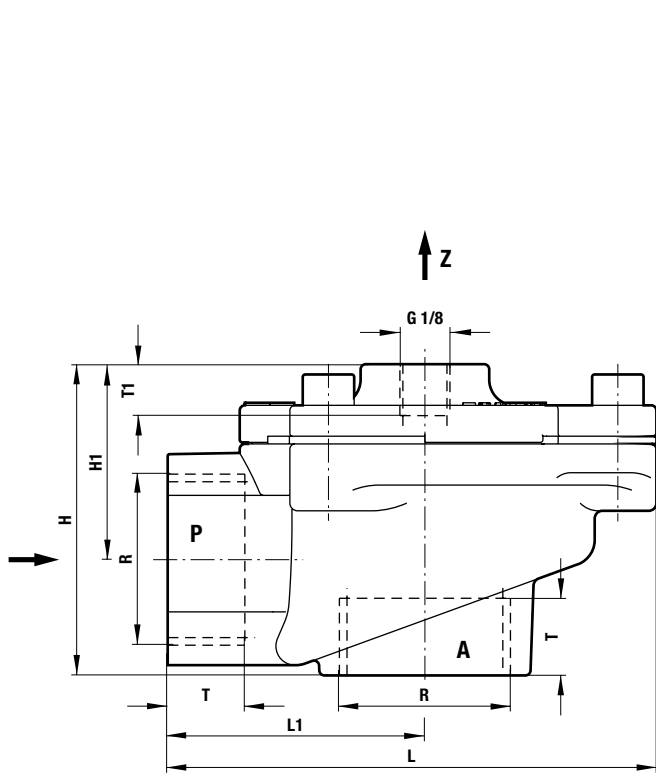
- 101 Valve body
- 102 Valve cover
- \*103 Diaphragm
- 104 Socket head cap screw
- \*105 Diaphragm
- 106 Valve cover
- \*107 Silencer
- 108 Silencer housing
- 109 Socket head cap screw

\*These individual parts form a complete wearing unit.  
When ordering spare parts please state Cat.-No. and series No.

**General Dimensions**

G 3/4 and 3/4 NPT  
G 1 and 1 NPT

G 1 1/2 and 1 1/2 NPT



Part Number	Connection size	T (mm)	T1 (mm)	B (mm)	H (mm)	H1 (mm)	L (mm)	L1 (mm)
8330300.0000	G 3/4	16	10	80	61.5	39	95	50
8331300.0000	3/4 NPT	14	10	80	61.5	39	95	50
8330400.0000	G 1	18	10	80	61.5	39	95	50
8331400.0000	1 NPT	17	10	80	61.5	39	95	50
8330600.0000	G 1 1/2	22	10	124.5	122.0	91	135	70
8331600.0000	1 1/2 NPT	18	10	124.5	122.0	91	135	70

**Note to Pressure Equipment Directive (PED):**  
The valves of this series are according to Art. 3 § 3 of the Pressure Equipment Directive (PED) 97/23/EG.

This means interpretation and production are in accordance to engineers practice wellknown in the member countries.  
A certificate of conformity ist not designated.